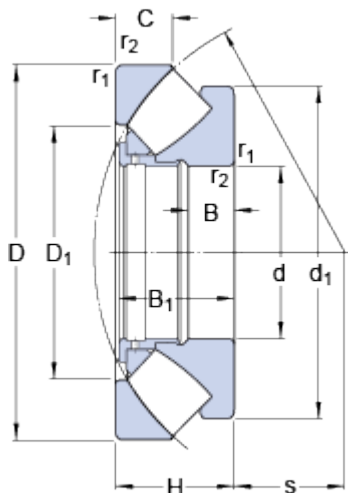


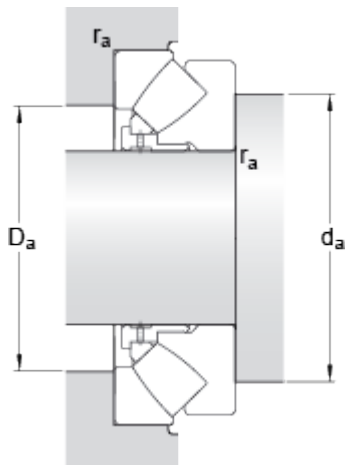
292/500

Dimensions



d	500	mm
D	670	mm
H	103	mm
d ₁	≈ 654	mm
D ₁	≈ 574	mm
B	33	mm
B ₁	99	mm
C	53.5	mm
s	268	mm
r _{1,2}	min. 5	mm

Abutment dimensions



d _a	min. 585	mm
D _a	max. 615	mm
r _a	max. 4	mm

Calculation data

Basic dynamic load rating	C	2390	kN
Basic static load rating	C ₀	12500	kN
Fatigue load limit	P _u	1000	kN
Reference speed		560	r/min
Limiting speed		900	r/min
Minimum axial load factor	A	15	

Mass

Mass bearing		100	kg
--------------	--	-----	----